



ALUMA-FORM®

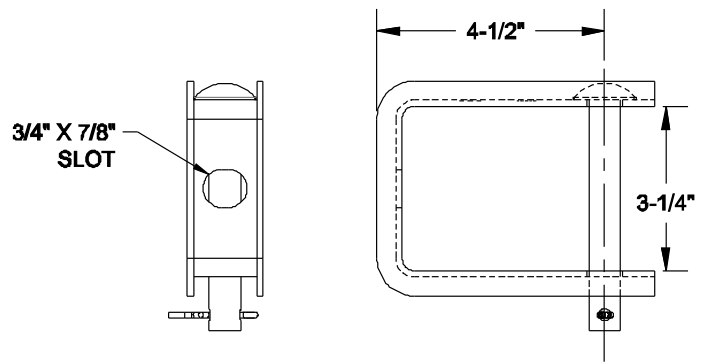
Pole Line Hardware

Clevis - Insulated Secondary & Deadend

Insulated Secondary & Deadend			
Catalog Name	Description	Weight per 100	Box QTY
AF93	INSULATED CLEVIS W SLOT & PIN	149	30

Features

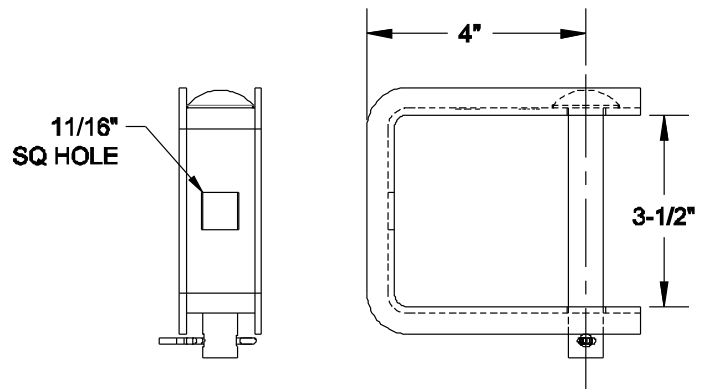
Hot dip galvanized to meet ASTM A153



Insulated Secondary & Deadend			
Catalog Name	Description	Weight per 100	Box QTY
AF093	INSULATED CLEVIS W SQ HOLE & PIN	140	30

Features

- Hot dip galvanized to meet ASTM A153



Insulated Secondary & Deadend - Aluminum			
Catalog Name	Description	Weight per 100	Box QTY
AFCCA-5-312	ALUMINUM CLEVIS SECONDARY ALUMINUM	85	25

Features

- A356 CAST ALUMINUM

